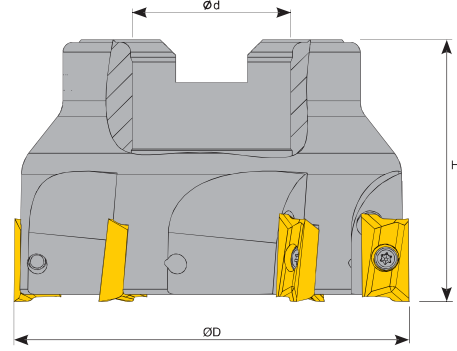





90°APKT 17 R390

Face Mill

Eckmessenkopf



Sipariş Kodu Order Code Bestell Code	ÜRÜN KODU Product Code Produkt-Code	ÖLÇÜLER (mm) Dimensions (mm) Abmessungen (mm)				KULLANILAN UÇ Insert Wendeplatte	SIKMA CİVATASI Clamp Screw Klemmschraube	ANAHTAR Torx Key Torx-Schraubendreher
		ØD	Ød	Z	H			
T400	D040-16 Z03 AP 17	40	16	3	45	APKT 17 R390	TC 067 M3.5	T15
T403	D050-22 Z04 AP 17	50	22	4	45			
T406	D063-22 Z05 AP 17	63	22	5	45			
T410	D080-27 Z06 AP 17	80	27	6	52			
T412	D100-32 Z07 AP 17	100	32	7	52			
T414	D125-40 Z08 AP 17	125	40	8	62			
T416	D160-40 Z09 AP 17	160	40	9	62			

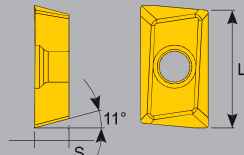
ÖLÇÜLER (mm)  
Dimensions (mm)  
Abmessungen (mm)

L

S

17

5.56



ADKT 1505

