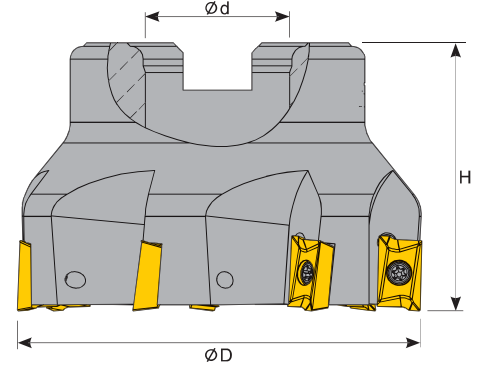





90° AP □□ 1003

Face Mill

Eckmessenkopf



Sipariş Kodu Order Code Bestell Code	ÜRÜN KODU Product Code Produkt-Code	ÖLÇÜLER (mm) Dimensions (mm) Abmessungen (mm)				KULLANILAN UÇ Insert Wendeplatte	SIKMA CIVATASI Clamp Screw Klemmschraube	ANAHTAR Torx Key Torx-Schraubendreher
		ØD	Ød	Z	H			
T176	D040-16 Z05 AP10	40	16	5	40	AP □□ 1003	TC 063 M2.5	T8
T177	D050-22 Z06 AP10	50	22	6	40			
T178	D063-22 Z07 AP 10	63	22	7	40			
T179	D080-27 Z08 AP 10	80	27	8	50			

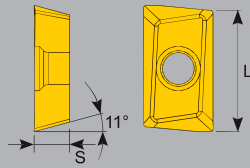
ÖLÇÜLER (mm)  
Dimensions (mm)  
Abmessungen (mm)

L

S

10.5

3.18



APKT 1003

