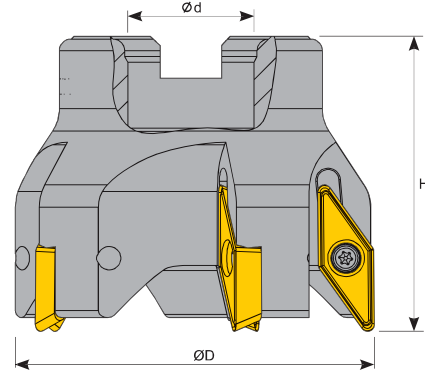





90° VCGT 1604

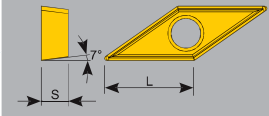
Face Mill

Eckmessenkopf



Sipariş Kodu Order Code Bestell Code	ÜRÜN KODU Product Code Produkt-Code	ÖLÇÜLER (mm) Dimensions (mm) Abmessungen (mm)				KULLANILAN UÇ Insert Wendeplatte	SIKMA CIVATASI Clamp Screw Klemmschraube	ANAHTAR Torx Key Torx-Schraubendreher
		ØD	Ød	Z	H			
T498	D040-16 Z03 VC 16	40	16	3	52	VCGT 1604	TC 074 M4	T15
T500	D050-22 Z04 VC 16	50	22	4	52			
T502	D063-22 Z05 VC 16	63	22	5	52			
T504	D080-27 Z06 VC 16	80	27	6	52			

ÖLÇÜLER (mm) Dimensions (mm) Abmessungen (mm)	
L	S
16.60	4.76



VCGT 1604

