

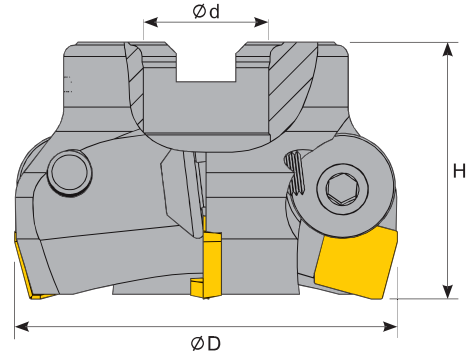
SPKN 12 TARAMA BAŞLIĞI






75° SPKN 1203

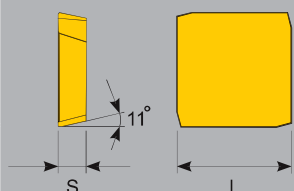
Face Mill

Planmesserkopf



Sipariş Kodu Order Code Bestell Code	ÜRÜN KODU Product Code Produkt-Code	ÖLÇÜLER (mm) Dimensions (mm) Abmessungen (mm)				KULLANILAN UÇ Insert Wendeplatte	SIKMA CIVATASI Clamp Screw Klemmschraube	ANAHTAR Allen Key Inbusschlüssel
		ØD	Ød	Z	H			
T148	D050-22 Z03 SP12	50	22	3	45	SPKN 1203	TC 054 M8	5 ALLEN
T150	D063-22 Z04 SP12	63	22	4	45			

ÖLÇÜLER (mm) Dimensions (mm) Abmessungen (mm)	
L	S
12.7	3.18



SPKN 1203

