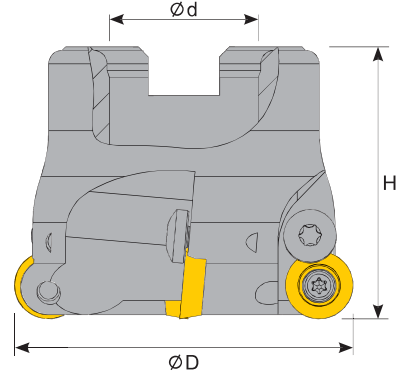






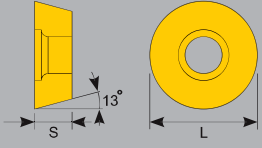
RHKW 08

Face Mill

Planmesserkopf



Sipariş Kodu Order Code Bestell Code	ÜRÜN KODU Product Code Produkt-Code	ÖLÇÜLER (mm) Dimensions (mm) Abmessungen (mm)				KULLANILAN UÇ Insert Wendeplatte	BASKI CİVATASI Locking Screw Verriegelungs- schraube	SIKMA CİVATASI Clamp Screw Klemmschraube	ANAHTAR Torx Key Torx-Schraubendreher
		ØD	Ød	Z	H				
T599	D040-16 Z04 RH08	40	16	4	40	RH KW 08	TC 084 M3.5	TC 064 M3	T8 T15
T600	D050-22 Z05 RH08	50	22	5	40				
T601	D063-22 Z06 RH08	63	22	6	40				

ÖLÇÜLER (mm) Dimensions (mm) Abmessungen (mm)		
L	S	
8	3.18	RHKW 08

