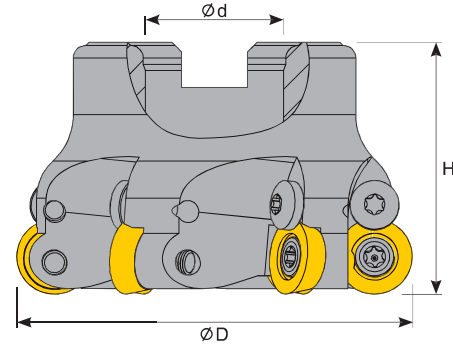






RHKW 12

Face Mill

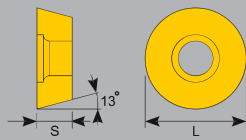
Planmesserkopf



Sipariş Kodu Order Code Bestell Code	ÜRÜN KODU Product Code Produkt-Code	ÖLÇÜLER (mm) Dimensions (mm) Abmessungen (mm)				KULLANILAN UÇ Insert Wendeplatte	BASKI CİVATASI Locking Screw Verriegelungs- schraube	SIKMA CİVATASI Clamp Screw Klemmschraube	ANAHTAR Torx Key Torx-Schraubendreher
		ØD	Ød	Z	H				
T612	D040-16 Z04 RH12	40	16	4	40	RHKW 12	TC 084 M3.5	TC 074 M4	T15
T613	D050-22 Z05 RH12	50	22	5	40				
T614	D063-22 Z06 RH12	63	22	6	40				
T615	D080-27 Z07 RH12	80	27	7	50				

ÖLÇÜLER (mm)
Dimensions (mm)
Abmessungen (mm)

L	S
12	3.97



RHKW 12

