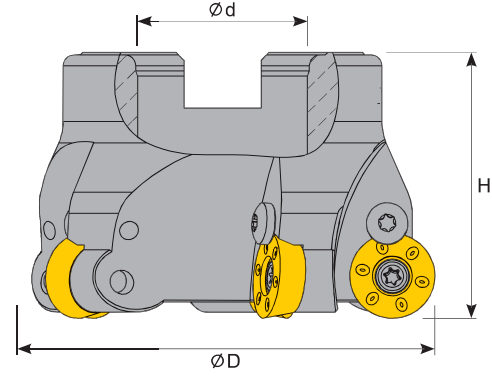






RHKW 16

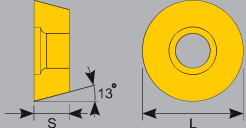
Face Mill

Planmesserkopf



Sipariş Kodu Order Code Bestell Code	ÜRÜN KODU Product Code Produkt-Code	ÖLÇÜLER (mm) Dimensions (mm) Abmessungen (mm)				KULLANILAN UÇ Insert Wendepatte	BASKI CIVATASI Locking Screw Verriegelungs- schraube	SIKMA CIVATASI Clamp Screw Klemmschraube	ANAHTAR Torx Key Torx-Schraubendreher
		ØD	Ød	Z	H				
T613	D050-22 Z03 RH16	50	22	3	40				
T614	D063-22 Z04 RH16	63	22	4	40	RHKW 16	TC 084 M3.5	TC 083 M5	T15 T20
T615	D080-27 Z05 RH16	80	27	5	50				

ÖLÇÜLER (mm) Dimensions (mm) Abmessungen (mm)	
L	S
16	5.56



RHKW 16

