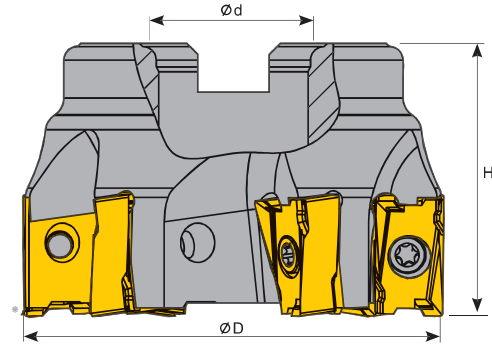





90°LNGU 15

Face Mill

Eckmessenkopf



Sipariş Kodu Order Code Bestell Code	ÜRÜN KODU Product Code Produkt-Code	ÖLÇÜLER (mm) Dimensions (mm) Abmessungen (mm)				KULLANILAN UÇ Insert Wendeplatte	SIKMA CİVATASI Clamp Screw Klemmschraube	ANAHTAR Torx Key Torx-Schraubendreher
		ØD	Ød	Z	H			
T956	D050-22 Z05 LN15	50	22	5	45	LNGU 15	TC 076 M4	T15
T958	D063-22 Z06 LN15	63	22	6	45			
T960	D080-27 Z07 LN15	80	27	7	50			
T961	D100-32 Z08 LN15	100	32	8	50			

ÖLÇÜLER (mm) Dimensions (mm) Abmessungen (mm)		
L	S	A
15	10	10

