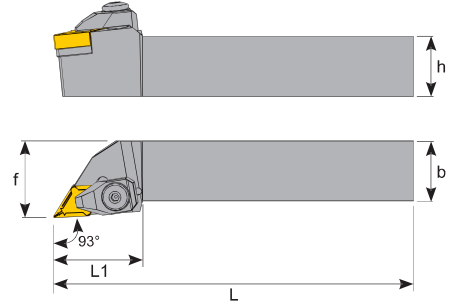
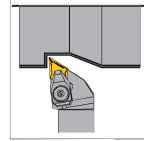


93° DDJNR

External Turning Holders

Klemmdrehhalter

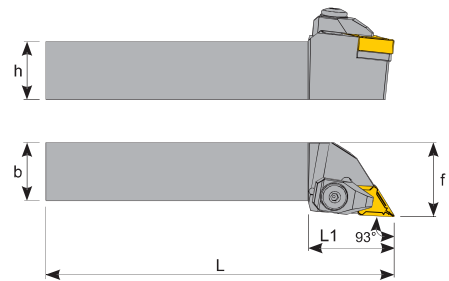
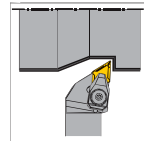


Sipariş Kodu Order Code Bestell Code	ÜRÜN KODU Product Code Produkt-Code	ÖLÇÜLER (mm) Dimensions (mm) Abmessungen (mm)					KULLANILAN UÇ Insert Wendeplatte	BASKI CİVATASI Locking Screw Verriegelungsschraube	ALTLIK Shim Schiif	ALTLIK CİVATASI Shim Screw Schiifsschraube	BASKI KEPİ Clamp Spannpratze	YAY Spring Feder	PUL Stamp Feder	ANAHTAR Allen Key Schraubendreher
		L	L1	h	f	b								
D171	DDJNR 2020 K15	125	38	20	25	20								
D169	DDJNR 2525 M15	150	38	25	32	25	DN □ 1504	TC 044 M6	TA 014	TC 038 M4	BK 020	BY 040	BP 030	4 ALLEN

93° DDJNL

External Turning Holders

Klemmdrehhalter



Sipariş Kodu Order Code Bestell Code	ÜRÜN KODU Product Code Produkt-Code	ÖLÇÜLER (mm) Dimensions (mm) Abmessungen (mm)					KULLANILAN UÇ Insert Wendeplatte	BASKI CİVATASI Locking Screw Verriegelungsschraube	ALTLIK Shim Schiif	ALTLIK CİVATASI Shim Screw Schiifsschraube	BASKI KEPİ Clamp Spannpratze	YAY Spring Feder	PUL Stamp Feder	ANAHTAR Allen Key Schraubendreher
		L	L1	h	f	b								
D313	DDJNL 2020 K15	125	38	20	25	20								
D309	DDJNL 2525 M15	150	38	25	32	25	DN □ 1504	TC 044 M6	TA 014	TC 038 M4	BK 020	BY 040	BP 030	4 ALLEN