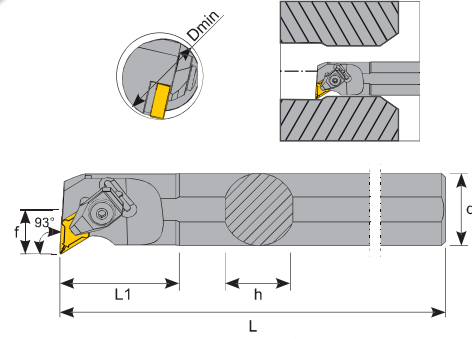


## 93° DDUNR

## Boring Bars

## Bohrstangen

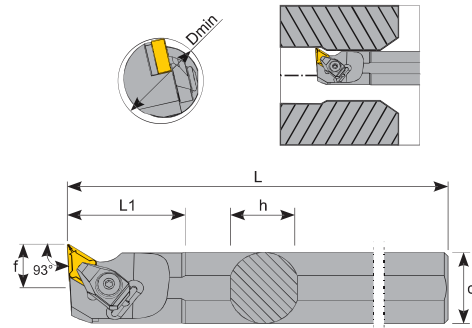


Sipariş Kodu Order Code Bestell Code	ÜRÜN KODU Product Code Produkt-Code	ÖLÇÜLER (mm) Dimensions (mm) Abmessungen (mm)						KULLANILAN UÇ Insert Wendeplatte	BASKI CİVATASI Locking Screw Verriegelungsschraube	ALTLIK Shim Schiff	ALTLIK CİVATASI Shim Screw Schiffsschraube	BASKI KEPİ Clamp Spannpratze	YAY Spring Feder	PUL Stamp Feder	ANAHTAR Allen Key Schraubendreher
		Dmin	d	L	L1	f	h								
K408	S20R DDUNR 11	30	20	180	50	13	18	DN □ 1104	TC 046 M5	TA 030	TC 075 M4	BK 019	BY 041	BP 031	3 ALLEN
K409	S25S DDUNR 11	32	25	250	50	17	23								
K410	S25S DDUNR 15	32	25	250	50	17	23	DN □ 1506	TC 044 M6	TA 014	TC 038 M4	BK 020	BY 040	BP 030	4 ALLEN
K412	S32T DDUNR 15	40	32	300	55	22	30								
K414	S40T DDUNR 15	50	40	300	55	27	38								
K416	S50U DDUNR 15	63	50	350	65	35	47								

## 93° DDUNL

## Boring Bars

## Bohrstangen



Sipariş Kodu Order Code Bestell Code	ÜRÜN KODU Product Code Produkt-Code	ÖLÇÜLER (mm) Dimensions (mm) Abmessungen (mm)						KULLANILAN UÇ Insert Wendeplatte	BASKI CİVATASI Locking Screw Verriegelungsschraube	ALTLIK Shim Schiff	ALTLIK CİVATASI Shim Screw Schiffsschraube	BASKI KEPİ Clamp Spannpratze	YAY Spring Feder	PUL Stamp Feder	ANAHTAR Allen Key Schraubendreher
		Dmin	d	L	L1	f	h								
K487	S20R DDUNL 11	30	20	180	50	13	18	DN □ 1104	TC 046 M5	TA 030	TC 075 M4	BK 019	BY 041	BP 031	3 ALLEN
K488	S25S DDUNL 11	32	25	250	50	17	23								
K490	S25S DDUNL 15	32	25	250	50	17	23	DN □ 1506	TC 044 M6	TA 014	TC 038 M4	BK 020	BY 040	BP 030	4 ALLEN
K492	S32T DDUNL 15	40	32	300	55	22	30								
K494	S40T DDUNL 15	50	40	300	55	27	38								
K496	S50U DDUNL 15	63	50	350	65	35	47								