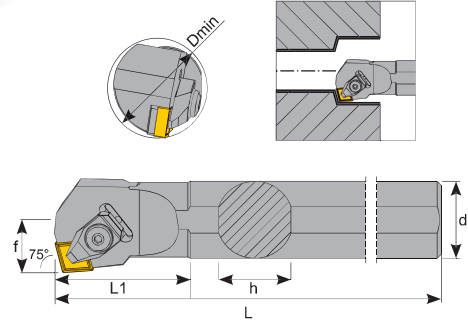


75° DCKNR

Boring Bars

Bohrstangen



Sipariş Kodu Order Code Code Bestell Code	ÜRÜN KODU Product Code Produkt-Code	ÖLÇÜLER (mm) Dimensions (mm) Abmessungen (mm)						KULLANILAN UÇ Insert Wendeleplatte	BASKI CİVATASI Locking Screw Verriegelungsschraube	ALTLIK Shim Schiff	ALTLIK CİVATASI Shim Screw Schiffsschraube	BASKI KEPİ Clamp Spannpratze	YAY Spring Feder	PUL Stamp Feder	ANAHTAR Allen Key Schraubendreher
		Dmin	d	L	L1	f	h								
K401	S25S DCKNR 12	32	25	250	50	17	23								
K403	S32T DCKNR 12	40	32	300	50	22	30	CN □ 1204	TC 044 M6	TA 016	TC 038 M4	BK 020	BY 040	BP 030	4 ALLEN
K405	S40T DCKNR 12	50	40	300	60	27	38								

