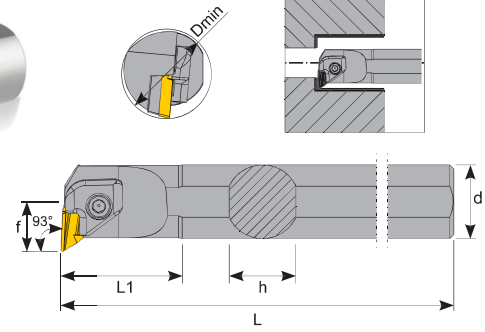


93° CKUNR

Boring Bars

Bohrstangen

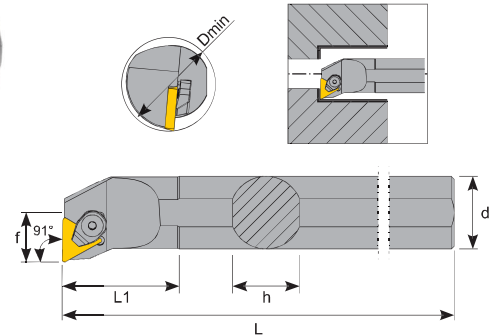


Sipariş Kodu Order Code Bestell Code	ÜRÜN KODU Product Code Produkt-Code	ÖLÇÜLER (mm) Dimensions (mm) Abmessungen (mm)						KULLANILAN UÇ Insert Wendeplatte	BASKI CİVATASI Locking Screw Verriegelungsschraube	ALTLIK Shim Schiff	ALTLIK CİVATASI Shim Screw Schiffsschraube	BASKI KEPİ Clamp Spannpratze	YAY Spring Feder	PUL Stamp Feder	ANAHTAR Allen Key Schraubendreher
		Dmin	d	L	L1	f	h								
RK 750	S25S CKUNR 16	32	25	250	52	17	23	KNUX 16	TC 043 M6	TA 048	TC 036 M3	BK 030	BY 042	BP 030	5 ALLEN
RK 752	S28T CKUNR 16	35	28	300	52	19	25								
RK 754	S32U CKUNR 16	40	32	350	52	22	29								
RK 756	S40V CKUNR 16	50	40	400	55	27	37								
RK 758	S45V CKUNR 16	54	45	400	60	29	43								
RK 760	S50W CKUNR 16	63	50	450	60	35	47								

91° CTFPR

Boring Bars

Bohrstangen



Sipariş Kodu Order Code Bestell Code	ÜRÜN KODU Product Code Produkt-Code	ÖLÇÜLER (mm) Dimensions (mm) Abmessungen (mm)						KULLANILAN UÇ Insert Wendeplatte	BASKI CİVATASI Locking Screw Verriegelungsschraube	ALTLIK Shim Schiff	ALTLIK CİVATASI Shim Screw Schiffsschraube	BASKI KEPİ Clamp Spannpratze	YAY Spring Feder	ANAHTAR Allen Key Schraubendreher
		Dmin	d	L	L1	f	h							
RK 200	S20Q CTFPR 16	25	20	180	40	13	18	TPKN 1603	TC 038 M4	----	----	BK 036	BY 040	2.5 ALLEN
RK 198	S25R CTFPR 16	32	25	200	50	17	23							
RK 194	S32T CTFPR 22	40	32	300	50	22	30							