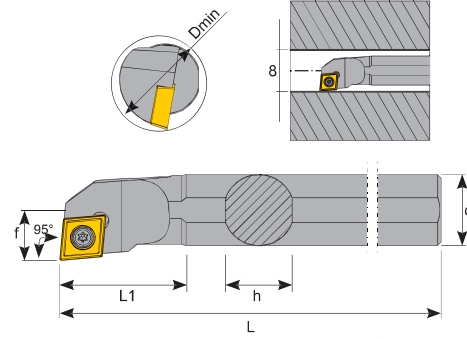


95° SCLCR

Boring Bars

Bohrstangen

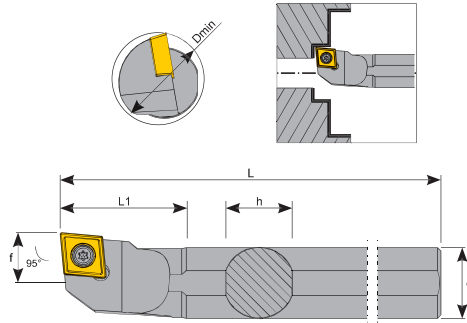


Sipariş Kodu Order Code Bestell Code	ÜRÜN KODU Product Code Produkt-Code	ÖLÇÜLER (mm) Dimensions (mm) Abmessungen (mm)						KULLANILAN UÇ Insert Wendeplatte	SIKMA CİVATASI Clamp Screw Klemmschraube	ANAHTAR Torx Key Torx-Schraubendreher
		Dmin	d	L	L1	f	h			
K097	S05-08H SCLCR 03	5	8	100	15	2.5	7	CC □ 0301	TC 090 M1.60	T6
K098	S06-08H SCLCR 03	6	8	100	18	3	7			
K099	S07-08H SCLCR 04	7	8	100	21	3.5	7			

95° SCLCL

Boring Bars

Bohrstangen



Sipariş Kodu Order Code Bestell Code	ÜRÜN KODU Product Code Produkt-Code	ÖLÇÜLER (mm) Dimensions (mm) Abmessungen (mm)						KULLANILAN UÇ Insert Wendeplatte	SIKMA CİVATASI Clamp Screw Klemmschraube	ANAHTAR Torx Key Torx-Schraubendreher
		Dmin	d	L	L1	f	h			
K230	S06-08H SCLCL 06	8	8	100	25	4.3	7	CC □ 0602	TC 060 M2.5	T8
K232	S08H SCLCL 06	11	8	100	20	5.5	7			
K234	S10J SCLCL 06	13	10	110	20	6	9			
K236	S12K SCLCL 06	16	12	125	24	9	11	CC □ 09T3	TC 070 M3.5	T15
K238	S14-16Q SCLCL 09	19	16	180	45	10	15			
K240	S16Q SCLCL 09	20	16	180	30	11	15			
K241	S16R SCLCL 09	20	16	200	30	11	15			
K244	S20Q SCLCL 09	25	20	180	37	12	18			
K245	S20S SCLCL 09	25	20	250	37	13	18			
K246	S25R SCLCL 09	32	25	200	40	17	23			