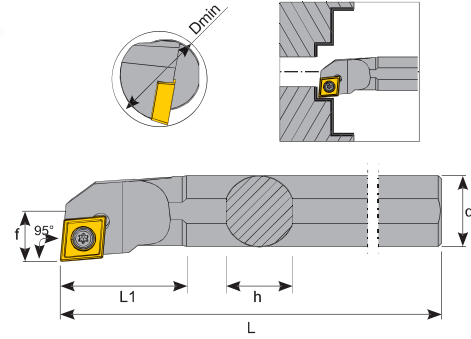


95° SCLCR

Boring Bars

Bohrstangen



Sipariş Kodu Order Code Bestell Code	ÜRÜN KODU Product Code Produkt-Code	ÖLÇÜLER (mm) Dimensions (mm) Abmessungen (mm)							KULLANILAN UÇ Insert Wendeplatte	SIKMA CIVATASI Clamp Screw Klemmschraube	ANAHTAR Torx Key Torx-Schraubendreher
		Dmin	d	L	L1	f	h				
K100	S06-08H SCLCR 06	8	8	100	25	4.3	7	CC □ 0602	TC 060 M2.5	T8	
K102	S08H SCLCR 06	11	8	100	20	5.5	7				
K104	S10J SCLCR 06	13	10	110	20	6	9				
K105	S10K SCLCR 06	13	10	125	20	6	9				
K106	S12K SCLCR 06	16	12	125	24	9	11				
K107	S12Q SCLCR 06	16	12	180	24	9	11				
K108	S14-16Q SCLCR 09	19	16	180	45	10	15				CC □ 09T3
K110	S16Q SCLCR 09	20	16	180	30	11	15				
K111	S16R SCLCR 09	20	16	200	30	11	15				
K112	S18-20Q SCLCR 09	24	20	180	37	12	18				
K114	S20Q SCLCR 09	25	20	180	37	13	18				
K115	S20S SCLCR 09	25	20	250	37	13	18				
K116	S25R SCLCR 09	32	25	200	40	17	23				
K117	S25T SCLCR 09	32	25	300	40	17	23				