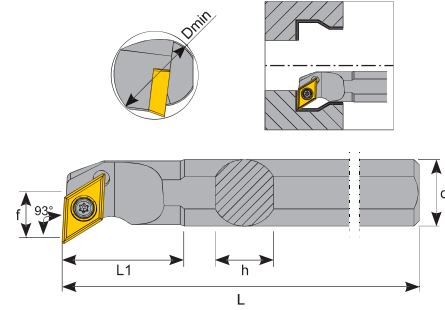


93° SDUCR

Boring Bars

Bohrstangen

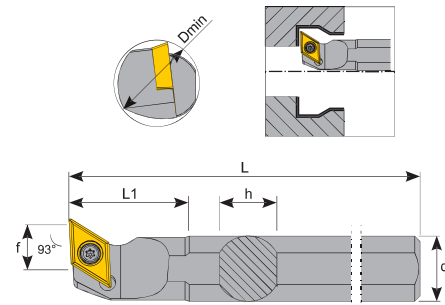


Sipariş Kodu Order Code Bestell Code	ÜRÜN KODU Product Code Produkt-Code	ÖLÇÜLER (mm) Dimensions (mm) Abmessungen (mm)						KULLANILAN UÇ Insert Wendepatte	SIKMA CIVATASI Clamp Screw Klemmschraube	ANAHTAR Torx Key Torx-Schraubendreher
		Dmin	d	L	L1	f	h			
K120	S10J SDUCR 07	14	10	110	20	7	9	DC □ 0702	TC 060 M2.5	T8
K122	S12K SDUCR 07	17	12	125	24	9	11			
K124	S14-16Q SDUCR 07	20	16	180	40	10,5	15			
K126	S16Q SDUCR 07	21	16	180	27	11	15			
K125	S14-16Q SDUCR 11	20	16	180	45	10,5	15	DC □ 11T3	TC 070 M3.5	T15
K128	S16Q SDUCR 11	21	16	180	30	11	15			
K130	S20Q SDUCR 11	25	20	180	32	13	18			
K132	S25R SDUCR 11	32	25	200	40	17	23			
K134	S32T SDUCR 11	40	32	300	45	22	30			

93° SDUCL

BORING BARS

BOHRSTANGEN



Sipariş Kodu Order Code Bestell Code	ÜRÜN KODU Product Code Produkt-Code	ÖLÇÜLER (mm) Dimensions (mm) Abmessungen (mm)						KULLANILAN UÇ Insert Wendepatte	SIKMA CIVATASI Clamp Screw Klemmschraube	ANAHTAR Torx Key Torx-Schraubendreher
		Dmin	d	L	L1	f	h			
K250	S10J SDUCL 07	14	10	110	20	7	9	DC □ 0702	TC 060 M2.5	T8
K252	S12K SDUCL 07	17	12	125	24	9	11			
K254	S14-16Q SDUCL 07	20	16	180	40	10,5	15			
K256	S16Q SDUCL 07	21	16	180	27	11	15			
K258	S16Q SDUCL 11	21	16	180	30	11	15	DC □ 11T3	TC 070 M3.5	T15
K260	S20Q SDUCL 11	25	20	180	32	13	18			
K262	S25R SDUCL 11	32	25	200	40	17	23			
K263	S32T SDUCL 11	40	32	300	45	22	30			