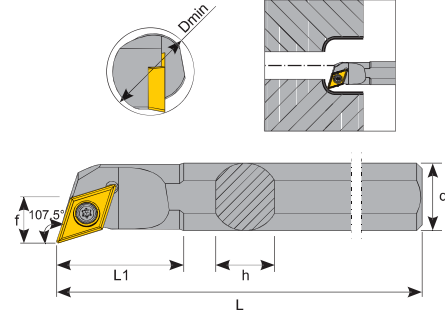


## 107.5° SDQCR

## Boring Bars

## Bohrstangen

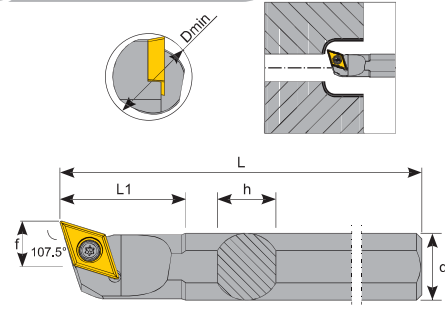


Sipariş Kodu Order Code Bestell Code	ÜRÜN KODU Product Code Produkt-Code	ÖLÇÜLER (mm) Dimensions (mm) Abmessungen (mm)						KULLANILAN UÇ Insert Wendepalte	SIKMA CİVATASI Clamp Screw Klemmschraube	ANAHTAR Torx Key Torx-Schraubendreher
		Dmin	d	L	L1	f	h			
K140	S10J SDQCR 07	14	10	110	20	7	9	DC □ 0702	TC 060 M2.5	T8
K142	S12K SDQCR 07	17	12	125	24	9	11			
K144	S16Q SDQCR 07	21	16	180	30	11	15			
K146	S16Q SDQCR 11	21	16	180	30	11	15			
K148	S20Q SDQCR 11	25	20	180	32	13	18	DC □ 11T3	TC 070 M3.5	T15
K150	S25R SDQCR 11	32	25	200	40	17	23			
K152	S32T SDQCR 11	40	32	300	50	22	30			
K154	S40T SDQCR 11	49	40	300	50	27	38			

## 107.5° SDQCL

## Boring Bars

## Bohrstangen



Sipariş Kodu Order Code Bestell Code	ÜRÜN KODU Product Code Produkt-Code	ÖLÇÜLER (mm) Dimensions (mm) Abmessungen (mm)						KULLANILAN UÇ Insert Wendepalte	SIKMA CİVATASI Clamp Screw Klemmschraube	ANAHTAR Torx Key Torx-Schraubendreher
		Dmin	d	L	L1	f	h			
K270	S10J SDQCL 07	14	10	110	20	7	9	DC □ 0702	TC 060 M2.5	T8
K272	S12K SDQCL 07	17	12	125	24	9	11			
K274	S16Q SDQCL 07	21	16	180	30	11	15			
K276	S16Q SDQCL 11	21	16	180	30	11	15			
K278	S20Q SDQCL 11	25	20	180	32	13	18	DC □ 11T3	TC 070 M3.5	T15
K280	S25R SDQCL 11	32	25	200	40	17	23			
K281	S32T SDQCL 11	40	32	300	50	22	30			