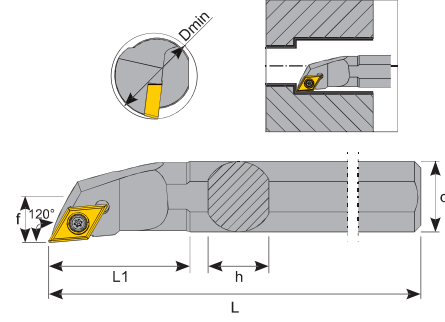


120° SDXCR

Boring Bars

Bohrstangen

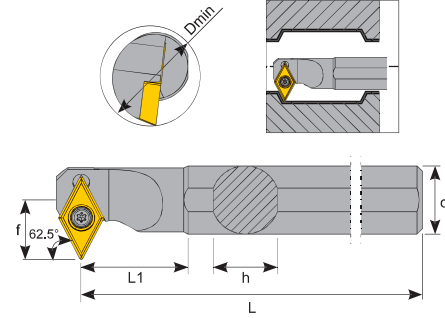


Sipariş Kodu Order Code Bestell Code	ÜRÜN KODU Product Code Produkt-Code	ÖLÇÜLER (mm) Dimensions (mm) Abmessungen (mm)						KULLANILAN UÇ Insert Wendepalte	SIKMA CIVATASI Clamp Screw Klemmschraube	ANAHTAR Torx Key Torx-Schraubendreher
		Dmin	d	L	L1	f	h			
K469	S10J SDXCR 07	14	10	110	25	5.5	9	DC □ 0702	TC 060 M2.5	T8
K470	S12K SDXCR 07	17	12	125	30	9	11			
K471	S16Q SDXCR 11	21	16	180	40	11	15	DC □ 11T3	TC 070 M3.5	T15
K472	S20Q SDXCR 11	25	20	180	40	13	18			
K473	S25R SDXCR 11	32	25	200	40	17	23			
K474	S32T SDXCR 11	40	32	300	55	17	30			
K475	S40T SDXCR 11	49	40	300	55	21	38			

62.5° SD-CR

Boring Bars

Bohrstangen



Sipariş Kodu Order Code Bestell Code	ÜRÜN KODU Product Code Produkt-Code	ÖLÇÜLER (mm) Dimensions (mm) Abmessungen (mm)						KULLANILAN UÇ Insert Wendepalte	SIKMA CIVATASI Clamp Screw Klemmschraube	ANAHTAR Torx Key Torx-Schraubendreher
		Dmin	d	L	L1	f	h			
K168	S10J SD-CR 07	14	10	100	24	8.2	9	DC □ 0702	TC 060 M2.5	T8
K170	S12K SD-CR 07	18	12	125	24	10.5	11			
K173	S16Q SD-CR 07	23	16	180	30	14	15	DC □ 11T3	TC 070 M3.5	T15
K172	S16Q SD-CR 11	23	16	180	30	14	15			
K174	S20Q SD-CR 11	26	20	180	32	32	18			
K176	S25R SD-CR 11	32	25	200	45	45	23			
K178	S32T SD-CR 11	40	32	300	55	55	30			