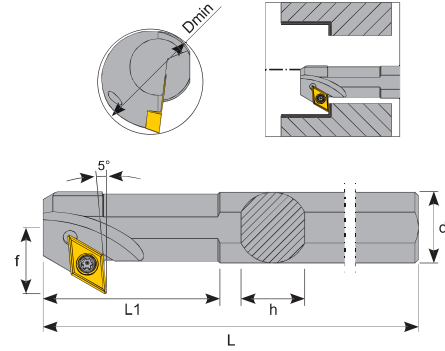


5° SDZCR

Boring Bars

Bohrstangen



Sipariş Kodu Order Code Bestell Code	ÜRÜN KODU Product Code Produkt-Code	ÖLÇÜLER (mm) Dimensions (mm) Abmessungen (mm)						KULLANILAN UÇ Insert Wendeplatte	SIKMA CIVATASI Clamp Screw Klemmschraube	ANAHTAR Torx Key Torx-Schraubendreher
		Dmin	d	L	L1	f	h			
K190	S12K SDZCR 07	18	12	125	20	11	11	DC 0702	TC 060 M2.5	T8
K192	S16Q SDZCR 11	23	16	180	25	14	15	DC 11T3	TC 070 M3.5	T15
K194	S20Q SDZCR 11	30	20	180	30	19	18			
K196	S25R SDZCR 11	35	25	200	33	21	23			

