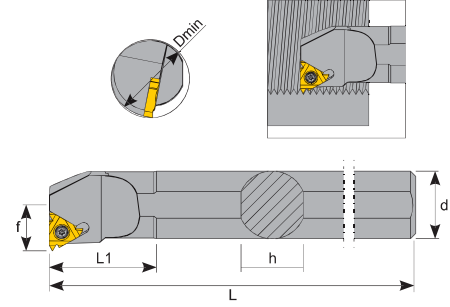


## İÇ ÇAP DIŞ KATERİ / R

## Internal Threading Toolholders

## Gevinde Bohrstanqe (Innengewinde)

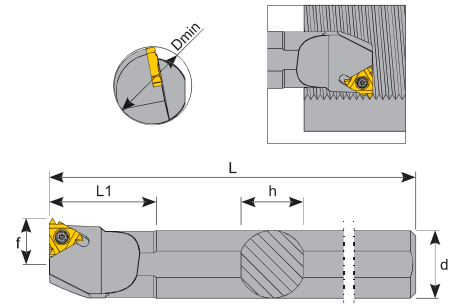


Sipariş Kodu Order Code Bestell Code	ÜRÜN KODU Product Code Produkt-Code	ÖLÇÜLER (mm) Dimensions (mm) Abmessungen (mm)							KULLANILAN UÇ Insert Wendeplatte	SIKMA CİVATASI Clamp Screw Klemmschraube	ANAHTAR Torx Key Torx-Schraubendreher
		Dmin	d	L	L1	f	h				
K348	S10J STIR 11	12	10	110	20	6	7	11 IR	TC 060 M2.5	T8	
K350	S12K STIR 11	14	12	125	24	7.2	11				
K352	S16Q STIR 16	20	16	180	40	11	15	16 IR	TC 070 M3.5	T15	
K354	S20Q STIR 16	24	20	180	40	13	18				
K356	S25R STIR 16	29	25	200	40	16	23				
K358	S32T STIR 16	36	32	300	40	19.5	30				
K359	S25R STIR 22	32	25	200	40	17	23				
K360	S32T STIR 22	39	32	300	40	22	30	22 IR	TC 075 M4		
K360-1	S40T STIR 22	50	40	300	60	24.5	38				

## İÇ ÇAP DIŞ KATERİ / L

## Internal Threading Toolholders

## Gevinde Bohrstanqe (Innengewinde)



Sipariş Kodu Order Code Bestell Code	ÜRÜN KODU Product Code Produkt-Code	ÖLÇÜLER (mm) Dimensions (mm) Abmessungen (mm)							KULLANILAN UÇ Insert Wendeplatte	SIKMA CİVATASI Clamp Screw Klemmschraube	ANAHTAR Torx Key Torx-Schraubendreher
		Dmin	d	L	L1	f	h				
K361	S16Q STIL 16	20	16	180	40	11	15	16 ER	TC 070 M3.5	T15	
K362	S20Q STIL 16	24	20	180	40	13	18				
K363	S25R STIL 16	29	25	200	40	16	23				