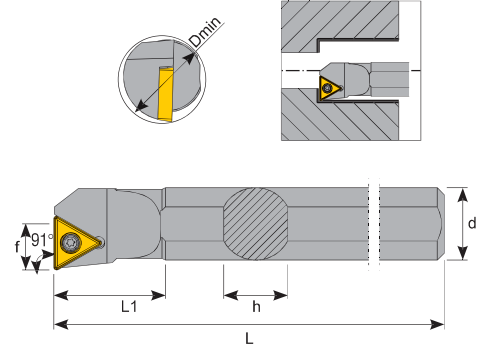


91° STFCR

Boring Bars

Bohrstangen

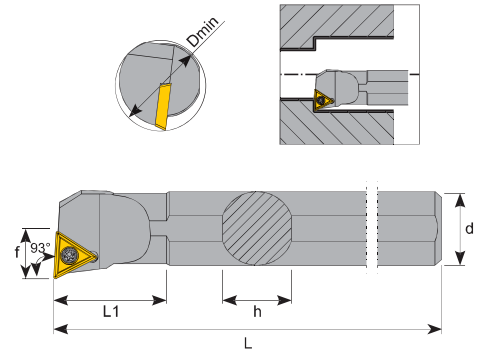


| Sipariş Kodu Order Code Bestell Code | ÜRÜN KODU Product Code Produkt-Code | ÖLÇÜLER (mm) Dimensions (mm) Abmessungen (mm) | | | | | | KULLANILAN UÇ Insert Wendeplatte | SIKMA CİVATASI Clamp Screw Klemmschraube | ANAHTAR Torx Key Torx-Schraubendreher |
|--|---|---|----|-----|----|----|----|--|--|---|
| | | Dmin | d | L | L1 | f | h | | | |
| K160 | S12K STFCR 11 | 17 | 12 | 125 | 24 | 9 | 11 | TCMT 1102 | TC 060 M2.5 | T8 |
| K161 | S16Q STFCR 11 | 21 | 16 | 180 | 30 | 11 | 15 | | | |
| K162 | S16Q STFCR 16 | 21 | 16 | 180 | 30 | 11 | 15 | | | |
| K164 | S20Q STFCR 16 | 25 | 20 | 180 | 30 | 13 | 18 | TCMT 16T3 | TC 070 M3.5 | T15 |
| K166 | S25R STFCR 16 | 32 | 25 | 200 | 37 | 16 | 23 | | | |

93° STUPR

Boring Bars

Bohrstangen



| Sipariş Kodu Order Code Bestell Code | ÜRÜN KODU Product Code Produkt-Code | ÖLÇÜLER (mm) Dimensions (mm) Abmessungen (mm) | | | | | | KULLANILAN UÇ Insert Wendeplatte | SIKMA CİVATASI Clamp Screw Klemmschraube | ANAHTAR Torx Key Torx-Schraubendreher |
|--|---|---|----|-----|----|----|----|--|--|---|
| | | Dmin | d | L | L1 | f | h | | | |
| K544 | S12K STUPR 11 | 17 | 12 | 125 | 24 | 9 | 11 | TCMT 1102 | TC 060 M2.5 | T8 |
| K546 | S16Q STUPR 11 | 21 | 16 | 180 | 30 | 11 | 15 | | | |