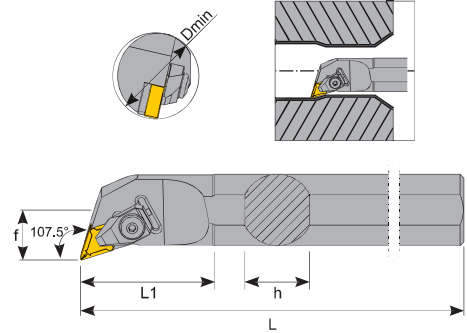


107.5° DDQNR

Boring Bars

Bohrstangen

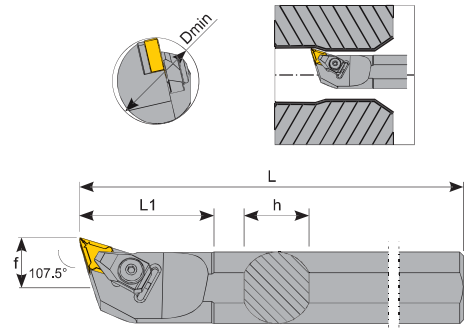


Sipariş Kodu Order Code Bestell Code	ÜRÜN KODU Product Code Produkt-Code	ÖLÇÜLER (mm) Dimensions (mm) Abmessungen (mm)						KULLANILAN UÇ Insert Wendeplatte	BASKI CİVATASI Locking Screw Verriegelungsschraube	ALTLIK Shim Schiff	ALTLIK CİVATASI Shim Screw Schiffsschraube	BASKI KEPI Clamp Spannpratze	YAY Spring Feder	PUL Stamp Feder	ANAHTAR Allen Key Schraubendreher
		Dmin	d	L	L1	f	h								
K476	S25S DDQNR 15	32	25	250	50	17	23	DN □ 1506	TC 044 M6	TA 014	TC 038 M4	BK 020	BY 040	BP 030	4 ALLEN
K477	S32T DDQNR 15	40	32	300	55	22	30								
K478	S40T DDQNR 15	50	40	300	55	27	38								
K479	S50U DDQNR 15	63	50	350	65	35	47								

107.5° DDQNL

Boring Bars

Bohrstangen



Sipariş Kodu Order Code Bestell Code	ÜRÜN KODU Product Code Produkt-Code	ÖLÇÜLER (mm) Dimensions (mm) Abmessungen (mm)						KULLANILAN UÇ Insert Wendeplatte	BASKI CİVATASI Locking Screw Verriegelungsschraube	ALTLIK Shim Schiff	ALTLIK CİVATASI Shim Screw Schiffsschraube	BASKI KEPI Clamp Spannpratze	YAY Spring Feder	PUL Stamp Feder	ANAHTAR Allen Key Schraubendreher
		Dmin	d	L	L1	f	h								
K533	S25S DDQNL 15	32	25	250	50	17	23	DN □ 1506	TC 044 M6	TA 014	TC 038 M4	BK 020	BY 040	BP 030	4 ALLEN
K534	S32T DDQNL 15	40	32	300	55	22	30								
K535	S40T DDQNL 15	50	40	300	55	27	38								
K536	S50U DDQNL 15	63	50	350	65	35	47								