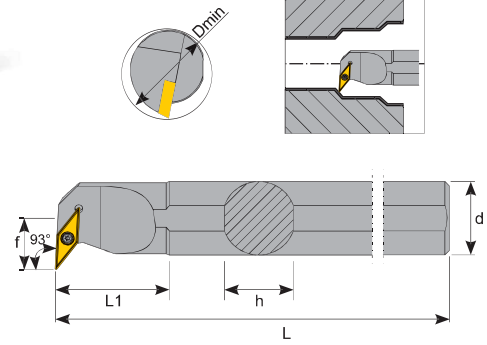





93° SVUCR

Boring Bars

Bohrstangen

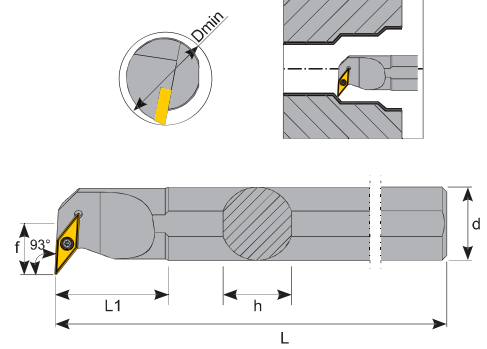





Sipariş Kodu Order Code Bestell Code	ÜRÜN KODU Product Code Produkt-Code	ÖLÇÜLER (mm) Dimensions (mm) Abmessungen (mm)						KULLANILAN UÇ Insert Wendeplatte	SIKMA CİVATASI Clamp Screw Klemmschraube	ANAHTAR Torx Key Torx-Schraubendreher
		Dmin	d	L	L1	f	h			
K211	S16Q SVUCR 11	21	16	180	30	11	15	VCMT 1103	TC 060 M2.5	T8
K212	S20Q SVUCR 11	25	20	180	30	13	18			
K213	S25R SVUCR 16	32	25	200	40	17	23			
K214	S32T SVUCR 16	40	32	300	50	22	30	VCMT 1604	TC 074 M4	T15
K215	S40T SVUCR 16	49	40	300	55	27	38			

93° SVUBR

Boring Bars

Bohrstangen



Sipariş Kodu Order Code Bestell Code	ÜRÜN KODU Product Code Produkt-Code	ÖLÇÜLER (mm) Dimensions (mm) Abmessungen (mm)						KULLANILAN UÇ Insert Wendeplatte	SIKMA CİVATASI Clamp Screw Klemmschraube	ANAHTAR Torx Key Torx-Schraubendreher
		Dmin	d	L	L1	f	h			
K206	S16Q SVUBR 11	21	16	180	30	11	15	VBMT 1103	TC 060 M2.5	T8
K207	S20Q SVUBR 11	25	20	180	30	13	18			
K208	S25R SVUBR 16	32	25	200	40	17	23			
K209	S32T SVUBR 16	40	32	300	50	22	30	VBMT 1604	TC 074 M4	T15
K210	S40T SVUBR 16	49	40	300	55	27	38			