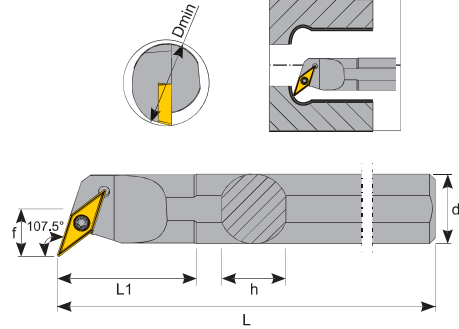





## 107.5° SVQBR

## Boring Bars

## Bohrstangen

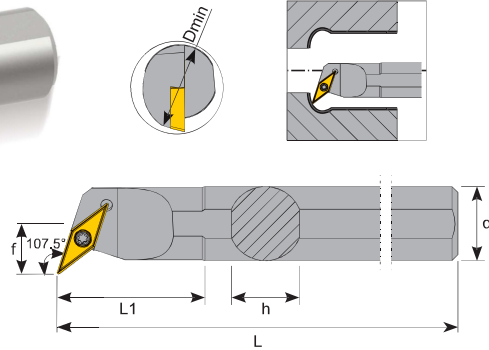





Sipariş Kodu Order Code Bestell Code	ÜRÜN KODU Product Code Produkt-Code	ÖLÇÜLER (mm) Dimensions (mm) Abmessungen (mm)						KULLANILAN UÇ Insert Wendeplatte	SIKMA CİVATASI Clamp Screw Klemmschraube	ANAHTAR Torx Key Torx-Schraubendreher
		Dmin	d	L	L1	f	h			
K216	S16Q SVQBR 11	21	16	180	30	11	15	VBMT 1103	TC 060 M2.5	T8
K217	S20Q SVQBR 11	25	20	180	30	13	18			
K218	S25R SVQBR 16	32	25	200	40	17	23			
K219	S32T SVQBR 16	40	32	300	50	22	30	VBMT 1604	TC 074 M4	T15
K220	S40T SVQBR 16	49	40	300	55	27	38			

## 107.5° SVQCR

## Boring Bars

## Bohrstangen



Sipariş Kodu Order Code Bestell Code	ÜRÜN KODU Product Code Produkt-Code	ÖLÇÜLER (mm) Dimensions (mm) Abmessungen (mm)						KULLANILAN UÇ Insert Wendeplatte	SIKMA CİVATASI Clamp Screw Klemmschraube	ANAHTAR Torx Key Torx-Schraubendreher
		Dmin	d	L	L1	f	h			
K221	S16Q SVQCR 11	21	16	180	30	11	15	VCMT 1103	TC 060 M2.5	T8
K222	S20Q SVQCR 11	25	20	180	30	13	18			
K223	S25R SVQCR 16	32	25	200	40	17	23			
K224	S32T SVQCR 16	40	32	300	50	22	30	VCMT 1604	TC 074 M4	T15
K225	S40T SVQCR 16	49	40	300	55	27	38			