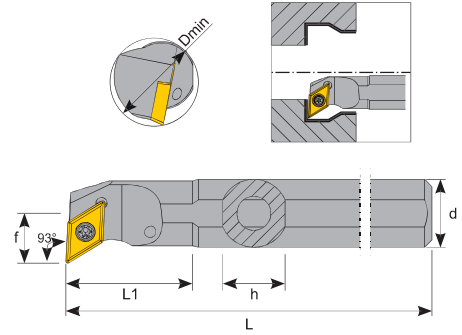





93° SDUCR

Boring Bars

Bohrstangen

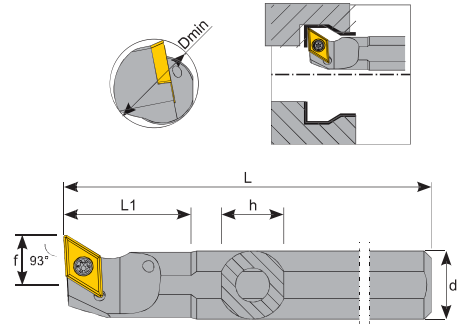





Sipariş Kodu Order Code Bestell Code	ÜRÜN KODU Product Code Produkt-Code	ÖLÇÜLER (mm) Dimensions (mm) Abmessungen (mm)						KULLANILAN UÇ Insert Wendeplatte	SIKMA CİVATASI Clamp Screw Klemmschraube	ANAHTAR Torx Key Torx-Schraubendreher
		Dmin	d	L	L1	f	h			
KA 120	A10H SDUCR 07	14	10	100	18	7	9	DC □ 0702	TC 060 M2.5	T8
KA 122	A12K SDUCR 07	17	12	125	22	9	11			
KA 124	A16M SDUCR 07	21	16	150	30	11	15			
KA 130	A16M SDUCR 11	21	16	150	30	11	15			
KA 132	A20Q SDUCR 11	25	20	180	30	13	19	DC □ 11T3	TC 070 M3.5	T15
KA 134	A25R SDUCR 11	32	25	200	44	17	24			

93° SDUCL

Boring Bars

Bohrstangen



Sipariş Kodu Order Code Bestell Code	ÜRÜN KODU Product Code Produkt-Code	ÖLÇÜLER (mm) Dimensions (mm) Abmessungen (mm)						KULLANILAN UÇ Insert Wendeplatte	SIKMA CİVATASI Clamp Screw Klemmschraube	ANAHTAR Torx Key Torx-Schraubendreher
		Dmin	d	L	L1	f	h			
KA 321	A10H SDUCL 07	14	10	100	18	7	9	DC □ 0702	TC 060 M2.5	T8
KA 322	A12K SDUCL 07	17	12	125	22	9	11			
KA 324	A16M SDUCL 07	21	16	150	30	11	15			
KA 331	A16M SDUCL 11	21	16	150	30	11	15			
KA 332	A20Q SDUCL 11	25	20	180	30	13	19	DC □ 11T3	TC 070 M3.5	T15
KA 334	A25R SDUCL 11	32	25	200	44	17	24			