

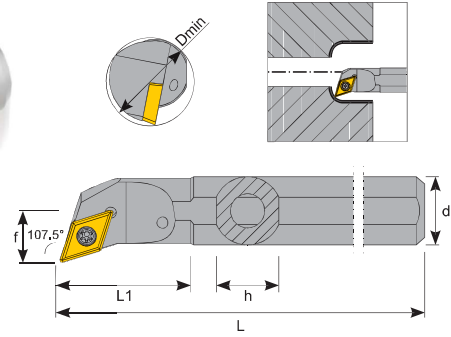
SDQCR / L İÇTEN SOĞUTMALI İÇ ÇAP KATERLER



107.5° SDQCR

Boring Bars

Bohrstangen

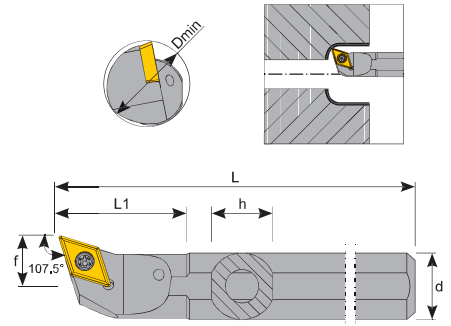


Sipariş Kodu Order Code Bestell Code	ÜRÜN KODU Product Code Produkt-Code	ÖLÇÜLER (mm) Dimensions (mm) Abmessungen (mm)						KULLANILAN UÇ Insert Wendeplatte	SIKMA CIVATASI Clamp Screw Klemmschraube	ANAHTAR Torx Key Torx-Schraubendreher
		Dmin	d	L	L1	f	h			
KA 140	A10H SDQCR 07	14	10	100	18	7	9			
KA 142	A12K SDQCR 07	17	12	125	22	9	11			
KA 144	A16M SDQCR 07	21	16	150	32	11	15			
KA 146	A20Q SDQCR 11	25	20	180	32	13	19			
KA 148	A25R SDQCR 11	32	25	200	46	17	24			
								DC □ 0702	TC 060 M2.5	T8
								DC □ 11T3	TC 070 M3.5	T15

107.5° SDQCL

Boring Bars

Bohrstangen



Sipariş Kodu Order Code Bestell Code	ÜRÜN KODU Product Code Produkt-Code	ÖLÇÜLER (mm) Dimensions (mm) Abmessungen (mm)						KULLANILAN UÇ Insert Wendeplatte	SIKMA CIVATASI Clamp Screw Klemmschraube	ANAHTAR Torx Key Torx-Schraubendreher
		Dmin	d	L	L1	f	h			
KA 340	A10H SDQCL 07	14	10	100	18	7	9			
KA 342	A12K SDQCL 07	17	12	125	22	9	11			
KA 344	A16M SDQCL 07	21	16	150	32	11	15			
KA 250	A20Q SDQCL 11	25	20	180	32	13	19			
KA 251	A25R SDQCL 11	32	25	200	46	17	24			
								DC □ 0702	TC 060 M2.5	T8
								DC □ 11T3	TC 070 M3.5	T15