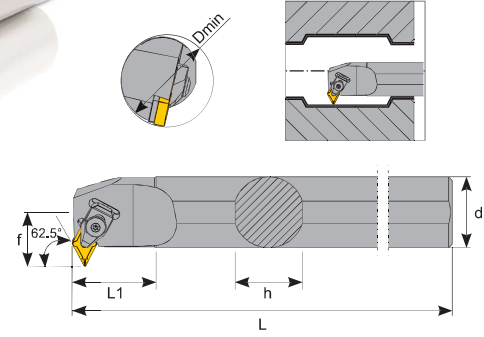


62.5° DDWNR

Boring Bars

Bohrstangen



Sipariş Kodu Order Code Bestell Code	ÜRÜN KODU Product Code Produkt-Code	ÖLÇÜLER (mm) Dimensions (mm) Abmessungen (mm)						KULLANILAN UÇ Insert Wendelplatte	BASKI CİVATASI Locking Screw Verriegelungsschraube	ALTLIK Shim Schiff	ALTLIK CİVATASI Shim Screw Schiffsschraube	BASKI KEPİ Clamp Spannpratze	YAY Spring Feder	PUL Stamp Feder	ANAHTAR Allen Key Schraubendreher
		Dmin	d	L	L1	f	h								
K464	S32T DDWNR 15	40	32	300	50	24	30								
K466	S40T DDWNR 15	50	40	300	50	30	38	DN □ 1506	TC 044 M6	TA 014	TC 038 M4	BK 020	BY 040	BP 030	4 ALLEN
K468	S50U DDWNR 15	63	50	350	60	35	47								

