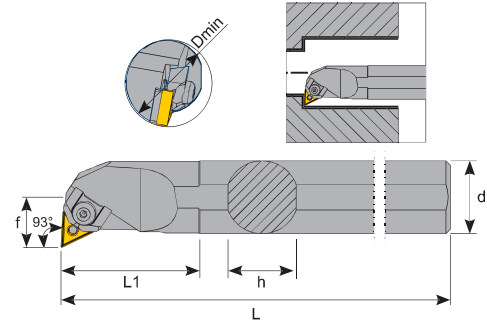


93° MTUNR

Boring Bars

Bohrstangen

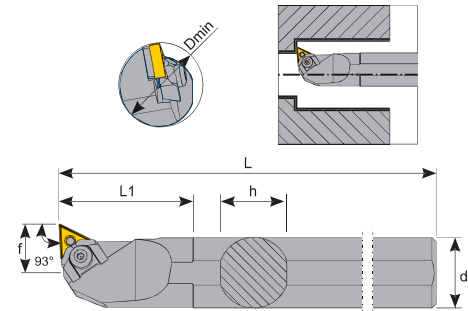


Sipariş Kodu Order Code Bestell Code	ÜRÜN KODU Product Code Produkt-Code	ÖLÇÜLER (mm) Dimensions (mm) Abmessungen (mm)						KULLANILAN UÇ Insert Wendeplatte	BASKI CİVATASI Locking Screw Verriegelungsschraube	ALTLIK Shim Schiff	ALTLIK PİMİ Lock Pin Unterlegplatten Stift	BASKI KEPİ Clamp Spannpratze	YAY Spring Feder	PUL Stamp Feder	ANAHTAR Allen Key Schraubendreher
		Dmin	d	L	L1	f	h								
K441	S20R MTUNR 16	25	20	200	30	13	18	TNMG 16	TNMG 22	---	BSP 020	BK 022	BY 041	BP 031	3 ALLEN
K442	S25S MTUNR 16	32	25	250	50	17	23								
K444	S32T MTUNR 16	40	32	300	60	22	30			TA 019					
K446	S40T MTUNR 16	50	40	300	60	27	38								
K448	S50U MTUNR 16	63	50	350	65	35	47	TNMG 22	TC 044 M6	TA 045	BSP 021	BK 023	BY 040	BP 030	4 ALLEN
K450	S32T MTUNR 22	40	32	300	60	22	30								
K452	S40T MTUNR 22	50	40	300	60	27	38								
K454	S50U MTUNR 22	63	50	350	65	35	47								

93° MTUNL

Boring Bars

Bohrstangen



Sipariş Kodu Order Code Bestell Code	ÜRÜN KODU Product Code Produkt-Code	ÖLÇÜLER (mm) Dimensions (mm) Abmessungen (mm)						KULLANILAN UÇ Insert Wendeplatte	BASKI CİVATASI Locking Screw Verriegelungsschraube	ALTLIK Shim Schiff	ALTLIK PİMİ Lock Pin Unterlegplatten Stift	BASKI KEPİ Clamp Spannpratze	YAY Spring Feder	PUL Stamp Feder	ANAHTAR Allen Key Schraubendreher
		Dmin	d	L	L1	f	h								
K520	S25S MTUNL 16	32	25	250	50	17	23	TNMG 16	TC 046 M5	TA 019	BSP 020	BK 022 v	BY 041	BP 031	3 ALLEN
K522	S32T MTUNL 16	40	32	300	60	22	30								
K524	S40T MTUNL 16	50	40	300	60	27	38								
K526	S50U MTUNL 16	63	50	350	65	35	47								
K528	S32T MTUNL 22	40	32	300	60	22	30	TNMG 22	TC 044 M6	TA 045	BSP 021	BK 023	BY 040	BP 030	4 ALLEN
K530	S40T MTUNL 22	50	40	300	60	27	38								
K532	S50U MTUNL 22	63	50	350	65	35	47								