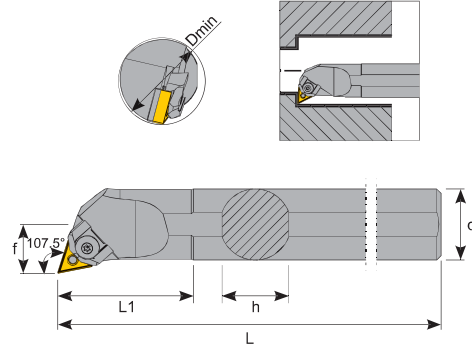


## 107.5° MTQNR

## Boring Bars

## Bohrstangen

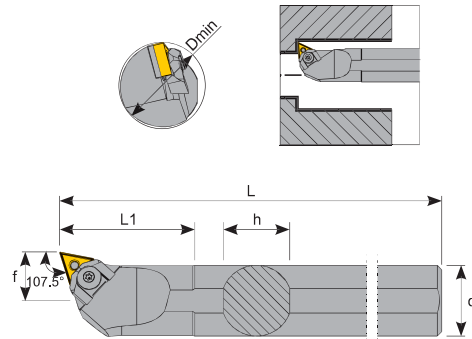


Sipariş Kodu Order Code Code Bestell Code	ÜRÜN KODU Product Code Produkt-Code	ÖLÇÜLER (mm) Dimensions (mm) Abmessungen (mm)						KULLANILAN UÇ Insert Wendeplatte	BASKI CİVATASI Locking Screw Verriegelungsschraube	ALTLIK Shim Schiff	ALTLIK CİVATASI Shim Screw Schiffsschraube	BASKI KEPI Clamp Spannpratze	YAY Spring Feder	PUL Stamp Feder	ANAHTAR Allen Key Schraubendreher
		Dmin	d	L	L1	f	h								
K365	S25S MTQNR 16	32	25	250	50	17	23	TNMG 1604	TC 046 M5	TA 019	BSP 020	BK 022	BY 040	BP 030	3 ALLEN
K366	S32T MTQNR 16	40	32	300	60	22	30								
K367	S40T MTQNR 16	50	40	300	60	27	38								
K368	S50U MTQNR 16	63	50	350	65	35	47								

## 107.5° MTQNL

## Boring Bars

## Bohrstangen



Sipariş Kodu Order Code Code Bestell Code	ÜRÜN KODU Product Code Produkt-Code	ÖLÇÜLER (mm) Dimensions (mm) Abmessungen (mm)						KULLANILAN UÇ Insert Wendeplatte	BASKI CİVATASI Locking Screw Verriegelungsschraube	ALTLIK Shim Schiff	ALTLIK CİVATASI Shim Screw Schiffsschraube	BASKI KEPI Clamp Spannpratze	YAY Spring Feder	PUL Stamp Feder	ANAHTAR Allen Key Schraubendreher
		Dmin	d	L	L1	f	h								
K537	S25S MTQNL 16	32	25	250	50	17	23	TNMG 1604	TC 046 M5	TA 019	BSP 020	BK 022	BY 040	BP 030	3 ALLEN
K538	S32T MTQNL 16	40	32	300	60	22	30								
K539	S40T MTQNL 16	50	40	300	60	27	38								
K540	S50U MTQNL 16	63	50	350	65	35	47								