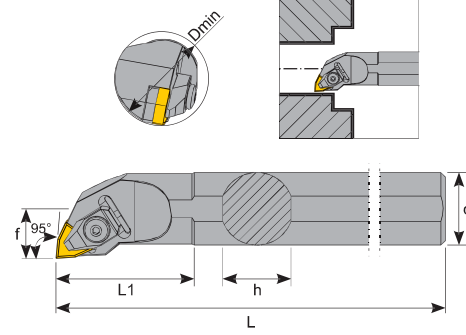


95° DWLNR

Boring Bars

Bohrstangen

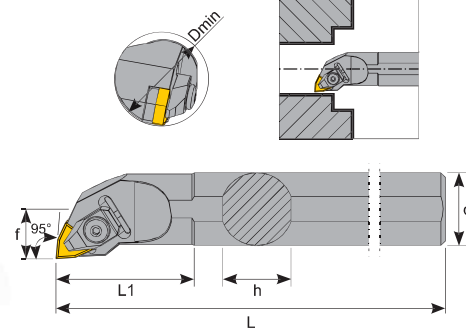


Sipariş Kodu Order Code Code Bestell Code	ÜRÜN KODU Product Code Produkt-Code	ÖLÇÜLER (mm) Dimensions (mm) Abmessungen (mm)						KULLANILAN UÇ Insert Wendeplatte	BASKI CİVATASI Locking Screw Verriegelungsschraube	ALTLIK Shim Schiff	ALTLIK CİVATASI Shim Screw Schiffsschraube	BASKI KEPİ Clamp Spannpratze	YAY Spring Feder	PUL Stamp Feder	ANAHTAR Allen Key Schraubendreher
		Dmin	d	L	L1	f	h								
K418	S25S DWLNR 06	32	25	250	50	17	23	WN □ 0604	TC 046 M5	----	TC 036 M3	BK 024	BY 041	BP 031	3 ALLEN
K420	S25S DWLNR 08	32	25	250	50	17	23	WN □ 0804	TC 044 M6	TA 019	TC 083 M5	BK 020	BY 041	BP 030	4 ALLEN
K422	S32T DWLNR 08	40	32	300	60	22	30								
K424	S40T DWLNR 08	50	40	300	60	27	38								
K426	S50U DWLNR 08	63	50	350	75	35	47								

95° DWLNL

Boring Bars

Bohrstangen



Sipariş Kodu Order Code Code Bestell Code	ÜRÜN KODU Product Code Produkt-Code	ÖLÇÜLER (mm) Dimensions (mm) Abmessungen (mm)						KULLANILAN UÇ Insert Wendeplatte	BASKI CİVATASI Locking Screw Verriegelungsschraube	ALTLIK Shim Schiff	ALTLIK CİVATASI Shim Screw Schiffsschraube	BASKI KEPİ Clamp Spannpratze	YAY Spring Feder	PUL Stamp Feder	ANAHTAR Allen Key Schraubendreher
		Dmin	d	L	L1	f	h								
K498	S25S DWLNL 06	32	25	250	50	17	23	WN □ 0604	TC 046 M5	TA 021	TC 036 M3	BK 019	BY 041	BP 031	3 ALLEN
K500	S25S DWLNL 08	32	25	250	50	17	23	WN □ 0804	TC 044 M6	TA 020	TC 083 M5	BK 020	BY 041	BP 030	4 ALLEN
K502	S32T DWLNL 08	40	32	300	60	22	30								
K504	S40T DWLNL 08	50	40	300	60	27	38								
K506	S50U DWLNL 08	63	50	350	75	35	47								