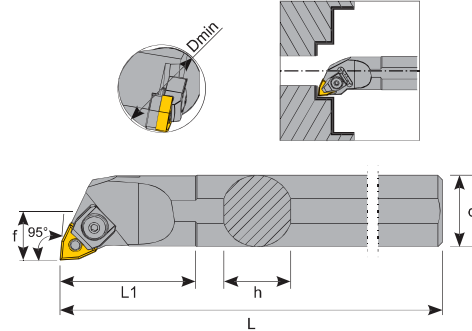


95° MWLNR

Boring Bars

Bohrstangen

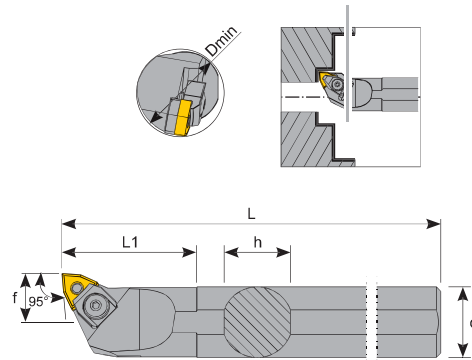


Sipariş Kodu Order Code Bestell Code	ÜRÜN KODU Product Code Produkt-Code	ÖLÇÜLER (mm) Dimensions (mm) Abmessungen (mm)						KULLANILAN UÇ Insert Wendeplatte	BASKI CİVATASI Locking Screw Verriegelungsschraube	ALTLIK Shim Schiff	ALTLIK CİVATASI Shim Screw Schiffsschraube	BASKI KEPİ Clamp Spannpratze	YAY Spring Feder	PUL Stamp Feder	ANAHTAR Allen Key Schraubendreher
		Dmin	d	L	L1	f	h								
K427	S16Q MWLNR 06	21	16	180	40	11	15	WN □ 0604	TC 046 M5	TA 021	BSP 021	BK 019	BY 041	BP 031	3 ALLEN
K427-1	S20R MWLNR 06	25	20	200	50	13	18								
K428	S25S MWLNR 08	32	25	250	45	17	23	WN □ 0804	TC 044 M6	TA 020	BSP 021	BK 026	BY 041	BP 030	4 ALLEN
K430	S32T MWLNR 08	40	32	300	60	22	30								
K432	S40T MWLNR 08	50	40	300	60	27	38								
K434	S50U MWLNR 08	63	50	350	65	35	47								

95° MWLNL

Boring Bars

Bohrstangen



Sipariş Kodu Order Code Bestell Code	ÜRÜN KODU Product Code Produkt-Code	ÖLÇÜLER (mm) Dimensions (mm) Abmessungen (mm)						KULLANILAN UÇ Insert Wendeplatte	BASKI CİVATASI Locking Screw Verriegelungsschraube	ALTLIK Shim Schiff	ALTLIK CİVATASI Shim Screw Schiffsschraube	BASKI KEPİ Clamp Spannpratze	YAY Spring Feder	PUL Stamp Feder	ANAHTAR Allen Key Schraubendreher
		Dmin	d	L	L1	f	h								
K510	S25S MWLNL 08	32	25	250	45	17	23	WN □ 0804	TC 044 M6	TA 020	BSP 021	BK 026	BY 041	BP 030	4 ALLEN
K512	S32T MWLNL 08	40	32	300	60	22	30								
K514	S40T MWLNL 08	50	40	300	60	27	38								
K516	S50U MWLNL 08	63	50	350	65	35	47								