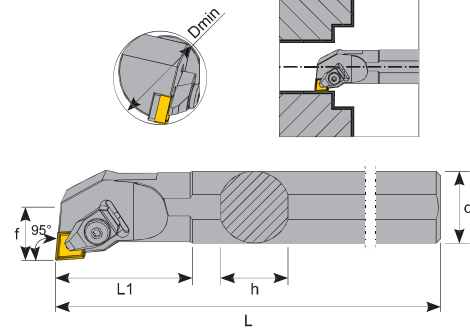


95° DCLNR

Boring Bars

Bohrstangen

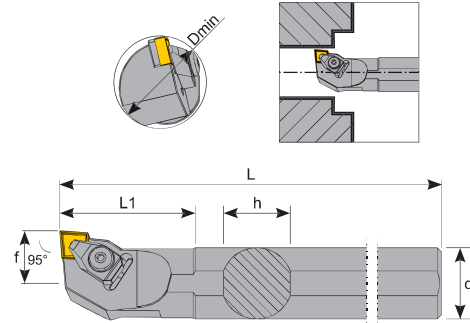


Sipariş Kodu Order Code Bestell Code	ÜRÜN KODU Product Code Produkt-Code	ÖLÇÜLER (mm) Dimensions (mm) Abmessungen (mm)						KULLANILAN UÇ Insert Wendeplatte	BASKI CİVATASI Locking Screw Verriegelungsschraube	ALTLIK Shim Schiff	ALTLIK CİVATASI Shim Screw Schiffsschraube	BASKI KEPİ Clamp Spannpratze	YAY Spring Feder	PUL Stamp Feder	ANAHTAR Allen Key Schraubendreher
		Dmin	d	L	L1	f	h								
K400	S25S DCLNR 12	32	25	250	50	17	23	CN □ 1204	TC 044 M6	TA 016	TC 038 M4	BK 020	BY 040	BP 030	4 ALLEN
K402	S32T DCLNR 12	40	32	300	60	22	30								
K404	S40T DCLNR 12	50	40	300	60	27	38								
K406	S50U DCLNR 12	63	50	350	75	35	47								

95° DCLNL

Boring Bars

Bohrstangen



Sipariş Kodu Order Code Bestell Code	ÜRÜN KODU Product Code Produkt-Code	ÖLÇÜLER (mm) Dimensions (mm) Abmessungen (mm)						KULLANILAN UÇ Insert Wendeplatte	BASKI CİVATASI Locking Screw Verriegelungsschraube	ALTLIK Shim Schiff	ALTLIK CİVATASI Shim Screw Schiffsschraube	BASKI KEPİ Clamp Spannpratze	YAY Spring Feder	PUL Stamp Feder	ANAHTAR Allen Key Schraubendreher
		Dmin	d	L	L1	f	h								
K480	S25S DCLNL 12	32	25	250	50	17	23	CN □ 1204	TC 044 M6	TA 016	TC 038 M4	BK 020	BY 040	BP 030	4 ALLEN
K482	S32T DCLNL 12	40	32	300	60	22	30								
K484	S40T DCLNL 12	50	40	300	60	27	38								
K486	S50U DCLNL 12	63	50	350	75	35	47								