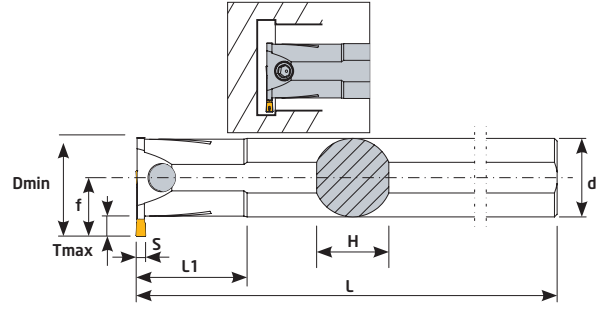
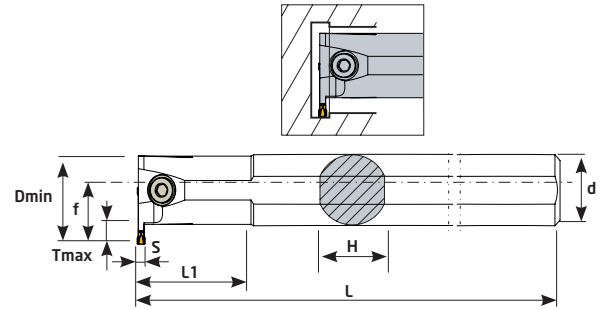


KRLY/R



Sipariş Kodu Order Code Best.-Nr.	Stok/Stock/Lager	Ürün Kodu Product Code Produkt-Code	Ölçüler (mm) Dimensions(mm) Abmessungen (mm)									Kullanılan Uç Insert WSP	Sıkma Civatası Clamp Screw Inbuss-Schraube	Anahtar Allen Key Inbuss-Schlüssel
			Dmin	Tmax	L	L1	d	h	f	s	ISO			
K600	●	S16Q 2C-R MGM	21	5	180	35	16	15	12.5	2	0,288	2C MGM KRLY	TC130 M5x12	4 Allen
K602	●	S20Q 2C-R MGM	26	5,7	180	35	20	18	15.5	2	0,440			
K603	●	S25R 2C-R MGM	31	5,7	200	35	25	23	18	2	0,787		TC131 M5x16	5 Allen
K604	●	S20Q 3C-R MGM	26	6	180	35	20	18	15,5	3	0,450			
K606	●	S25R 3C-R MGM	32	6,7	200	40	25	23	19	3	0,784	3C MGM KRLY	TC130 M5x12	4 Allen
K608	●	S32S 3C-R MGM	38	6,1	250	60	32	30	21.5	3	1,555			
K609	●	S40T 3C-R MGM	48	7,2	300	60	40	38	27	3	2,940		TC131 M5x16	5 Allen
K610	●	S20Q 4C-R MGM	26	6	180	35	20	18	15.5	4	0,443			
K612	●	S25R 4C-R MGM	31	6	200	40	25	23	18,2	4	0,783	4C MGM KRLY	TC130 M5x12	4 Allen
K614	●	S32S 4C-R MGM	38	6	250	60	32	30	21,5	4	1,552			
K616	●	S40T 4C-R MGM	47	7,2	300	60	40	38	27	4	2,942		TC131 M5x16	5 Allen
K618	●	S25R 5C-R MGM	32	7	200	40	25	23	19,2	5	0,777			
K620	●	S32S 5C-R MGM	39	7	250	60	32	30	22,5	5	1,561	5C MGM KRLY	TC134 M6x20	5 Allen
K622	●	S40T 5C-R MGM	47	7,4	300	60	40	38	27	5	2,936			

KGEVR-KGMN



Sipariş Kodu Order Code Best.-Nr.	Stok/Stock/Lager	Ürün Kodu Product Code Produkt-Code	Ölçüler (mm) Dimensions(mm) Abmessungen (mm)									Kullanılan Uç Insert WSP	Sıkma Civatası Clamp Screw Inbuss-Schraube	Anahtar Allen Key Inbuss-Schlüssel
			Dmin	Tmax	L	L1	d	h	f	s	ISO			
K660	●	S16K 2C KGMN	23	6,5	125	35	16	15	14	2	0,220	KGEVR-KGMN 200 KRLY	TC130 M5x12	4 Allen
K661	●	S20M 2C KGMN	25	6,5	150	45	20	18	15,5	2	0,374			
K662	●	S25R 2C KGMN	32	7	200	45	25	23	19	2	0,802		TC131 M5x16	5 Allen
K663	●	S20M 3C KGMN	25	6,5	150	45	20	18	15,5	3	0,370			
K664	●	S25R 3C KGMN	32	7	200	45	25	23	19	3	0,800	KGEVR-KGMN 300 KRLY	TC130 M5x12	4 Allen
K665	●	S32S 3C KGMN	40	7,5	250	55	32	30	22,5	3	1,627			
K666	●	S20M 4C KGMN	25	6,5	150	45	20	18	15,5	4	0,374		TC131 M5x16	5 Allen
K667	●	S25R 4C KGMN	32	7	200	45	25	23	19	4	0,796			
K668	●	S32S 4C KGMN	40	7,5	250	55	32	30	22,5	4	1,623	KGEVR-KGMN 400 KRLY	TC130 M5x12	4 Allen
												TC134 M6x20	5 Allen	

KRLY ucuna uygundur. / Compatible with KRLY insert. / Kompatibel für KRLY WP