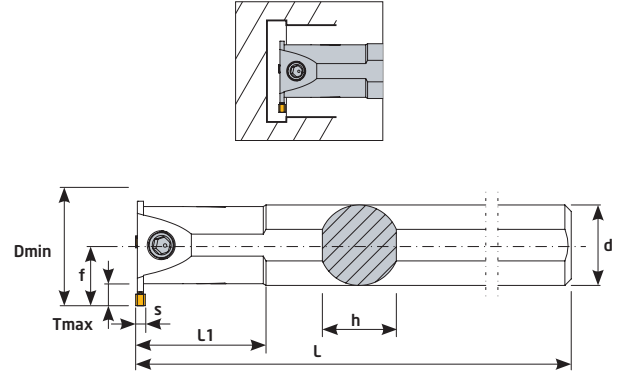


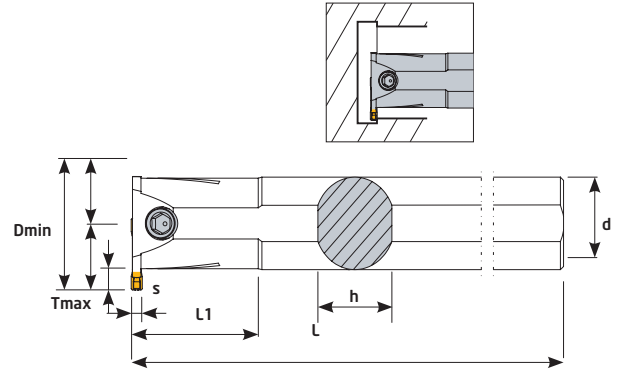
GRP/R



Sipariş Kodu Order Code Best.-Nr.	Stok/Stock/Lager	Ürün Kodu Product Code Produkt-Code	Ölçüler (mm) Dimensions(mm) Abmessungen (mm)										Kullanılan Uç Insert WSP	Sıkma Civatası Clamp Screw Inbuss-Schraube	Anahtar Allen Key Inbuss-Schlüssel
			Dmin	Tmax	L	L1	d	h	f	S	kg				
K700	●	S16Q 3C-R GRP	21	4,9	180	45	16	18	12,5	3	0,308	3C GRP ISCR	TC130 M5x12	4 Allen	
K702	●	S20Q 3C-R GRP	26	6	180	35	20	18	15,7	3	0,463				TC131 M5x16
K704	●	S25R 3C-R GRP	32	6,5	200	35	25	23	18,7	3	0,809		4C GRP ISCR	TC130 M5x12	4 Allen
K706	●	S20Q 4C-R GRP	26	5,5	180	35	20	18	15,2	4	0,463	TC131 M5x16			
K708	●	S25R 4C-R GRP	32	6,5	200	35	25	23	18,7	4	0,810	TC134 M6x20		5 Allen	
K710	●	S32S 4C-R GRP	38	6,5	250	60	32	30	22	4	1,655				

ISCR ucuna uygundur. / Compatible with ISCR insert. / Kompatible für ISCR WP

DGN/R



Sipariş Kodu Order Code Best.-Nr.	Stok/Stock/Lager	Ürün Kodu Product Code Produkt-Code	Ölçüler (mm) Dimensions(mm) Abmessungen (mm)										Kullanılan Uç Insert WSP	Sıkma Civatası Clamp Screw Inbuss-Schraube	Anahtar Allen Key Inbuss-Schlüssel
			Dmin	Tmax	L	L1	d	h	f	S	kg				
K672	●	S20Q 3C-R DGN	25	5,5	180	35	20	18	15	3	0,446	3C DGN ISCR	TC130 M5x12	4 Allen	
K673	●	S25R 3C-R DGN	31	6	200	40	25	23	18,2	3	0,798				TC131 M5x16
K674	●	S32S 3C-R DGN	37	6	250	55	32	30	30	3	1,620		TC134 M6x20	5 Allen	
K676	●	S20Q 4C-R DGN	25	5,5	180	35	20	18	18	4	0,461	4C DGN ISCR	TC130 M5x12	4 Allen	
K677	●	S25R 4C-R DGN	31	6	200	40	25	23	23	4	0,802				TC131 M5x16
K678	●	S32S 4C-R DGN	37	6	250	55	32	30	30	4	1,648		TC134 M6x20	5 Allen	

ISCR ucuna uygundur. / Compatible with ISCR insert. / Kompatible für ISCR WP

● Stokta/ In Stock/ Lager ○ Sınırlı Stok/ Limited Stock/ Begrenzte Lagerhaltung